

# 07.

## END OF BARREL

**181** 07.1  
REMOVABLE NOZZLE TIPS



**182** 07.2  
SCREW TIPS



**182** 07.3  
TIP SPANNER



**184** 07.4  
NOZZLE BODY ADAPTORS



**The MOULDPRO Removable Nozzle Tip System saves Time and Money!**

The Quick Change nozzle tip system was developed to offer a fast and economical solution for injection moulders to adapt their moulding machines to different tools and materials.

By replacing the manufacturer's nozzle body with the MOULDPRO replaceable tip design the moulder can benefit from using MOULDPRO standard 'quick change' replaceable tips.

The tips are available in different lengths, with different tip radius and orifice; the tips are available as General Purpose / Nylon Reverse Taper or ABS Full Taper.



- High Quality
- Hardened Tool Steel
- All Standard Sizes in Stock
- Standardise your factory and Save Money
- Standardise Size of Nozzle Heater Bands
- Custom designs available

**REMOVABLE NOZZLE TIPS**

General Purpose Type		Nylon Type		Full Taper						
Part Number	Part Number	Part Number	Thread Type	Total Length	Radius	Orifice Ø				
GP1-R12.7-1.5			7/8" UNF	38	12,7	1,5				
GP1-R12.7-2						2				
GP1-R12.7-2.5						2,5				
GP1-R12.7-3	NRT1-R12.7-3	FT1-R12.7-3				3				
GP1-R12.7-4	NRT1-R12.7-4	FT1-R12.7-4				4				
GP1-R12.7-5	NRT1-R12.7-5	FT1-R12.7-5				5				
GP1-R12.7-6.5	NRT1-R12.7-6.5	FT1-R12.7-6.5				6,5				
GP1-R12.7-8	NRT1-R12.7-8	FT1-R12.7-8				8				
GP1-R15-1.5					15	38	1,5			
GP1-R15-2.5							2,5			
GP1-R15-3	NRT1-R15-3	FT1-R15-3					3			
GP1-R15-4	NRT1-R15-4	FT1-R15-4					4			
GP1-R15-5	NRT1-R15-5	FT1-R15-5					5			
GP1-R15-5.5	NRT1-R15-5.5	FT1-R15-5.5					5,5			
GP1-R15-6.5	NRT1-R15-6.5	FT1-R15-6.5					6,5			
GP1-R15-7	NRT1-R15-7	FT1-R15-7					7			
GP1-R15-8	NRT1-R15-8	FT1-R15-8					8			
GP1-R15-9.5	NRT1-R15-9.5	FT1-R15-9.5					9,5			
GP1-R19-3	NRT1-R19-3	FT1-R19-3					19	38	3	
GP1-R19-4	NRT1-R19-4	FT1-R19-4							4	
GP1-R19-5.5	NRT1-R19-5.5	FT1-R19-5.5							5,5	
GP1-R30-3	NRT1-R30-3	FT1-R30-3					30	38	3	
GP1-R30-7	NRT1-R30-7	FT1-R30-7							7	
GP2-R12.7-3	NRT2-R12.7-3						70	38	12,7	
GP2-R19-3	NRT2-R19-3			19						
GP3-R12.7-3	NRT3-R12.7-3			3						
GP4-R12.7-3	NRT4-R12.7-3			95	12,7	3				
				127		3				

**Description**  
Removeable Nozzle tips, Heat Treated Tool Steel, Polished Radius and Bore

# SCREW TIPS / TIP SPANNER

## SCREW TIP ASSEMBLY



Part No.	Diameter
STA-18	18mm
STA-20	20mm
STA-22	22mm
STA-25	25mm
STA-27	27mm
STA-28	28mm
STA-30	30mm
STA-32	32mm
STA-33	33mm
STA-35	35mm
STA-37	37mm
STA-38	38mm
STA-40	40mm
STA-42	42mm
STA-43	43mm
STA-45	45mm
STA-47	47mm
STA-48	48mm
STA-50	50mm
STA-52	52mm
STA-55	55mm
STA-60	60mm
STA-62	62mm
STA-65	65mm

Part No.	Diameter
STA-67	67mm
STA-70	70mm
STA-72	72mm
STA-75	75mm
STA-78	78mm
STA-80	80mm
STA-85	85mm
STA-90	90mm
STA-95	95mm
STA-100	100mm
STA-105	105mm
STA-110	110mm
STA-120	120mm
STA-125	125mm
STA-130	130mm
STA-135	135mm
STA-140	140mm
STA-150	150mm
STA-155	155mm
STA-160	160mm
STA-170	170mm
STA-180	180mm
STA-190	190mm
STA-200	200mm

**Description**

For all popular makes of moulding machine  
 Complete nitrided screw tip assembly including Screw Tip, Check Ring and Pressure Ring.  
 Please advise machine make / model / tonnage and screw size when ordering

## SCREW TIP SPANNER



Part No.	Screw tip Size
123894	Max 75 mm

**Description**

Tip spanner, ideal for fast and safe Screw tip replacement.  
 Adjustable for Screw Tips up to 75mm, 3, 4, 5 Flute.  
 Foam Grip

## LEATHER GLOVES



Part No.	Size
WG08/R8	MULTI

**Description**

Ideal for handling hot machine parts.  
 Rated up to 200°C EN-407

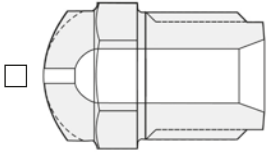
# CUSTOM NOZZLE TIP FORM

**SPECIFY**

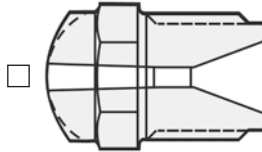
**1. External Style of Nozzle Tip:**

Standard     Flat Face\*

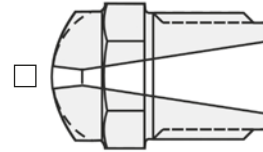
**2. Internal Design of Nozzle Tip:**



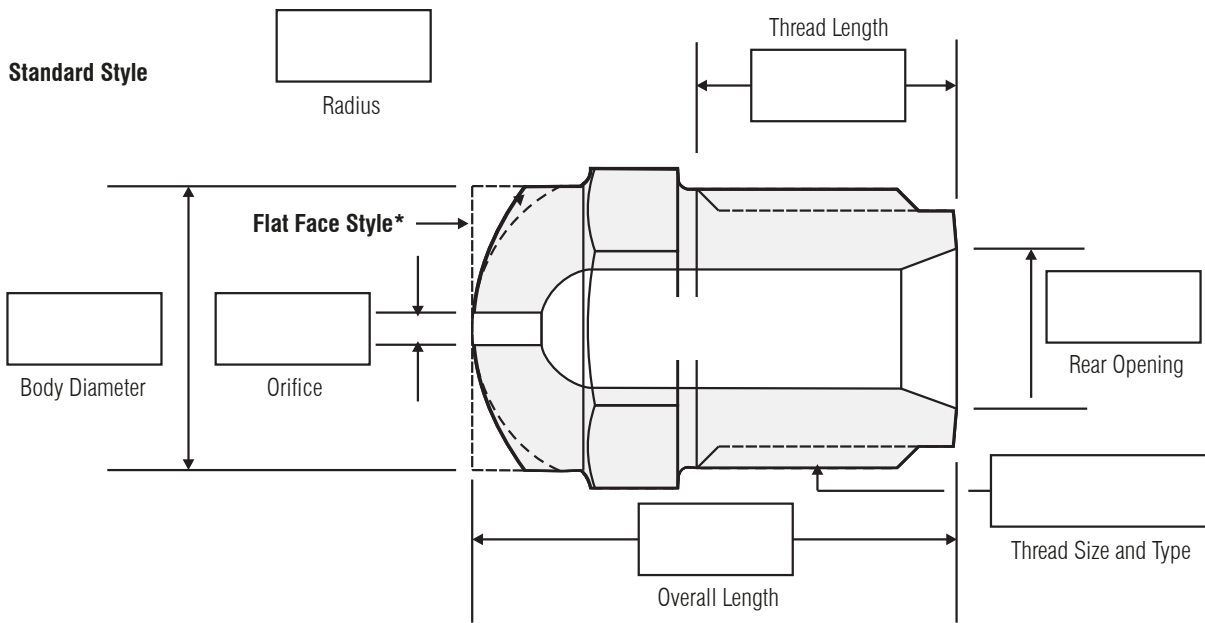
General Purpose Internal Design



Nylon Internal Design



Full Taper Internal Design



Date: \_\_\_\_\_ Quantity: \_\_\_\_\_ Phone: \_\_\_\_\_

Name \_\_\_\_\_ Title \_\_\_\_\_

Company \_\_\_\_\_ Email \_\_\_\_\_

Address \_\_\_\_\_

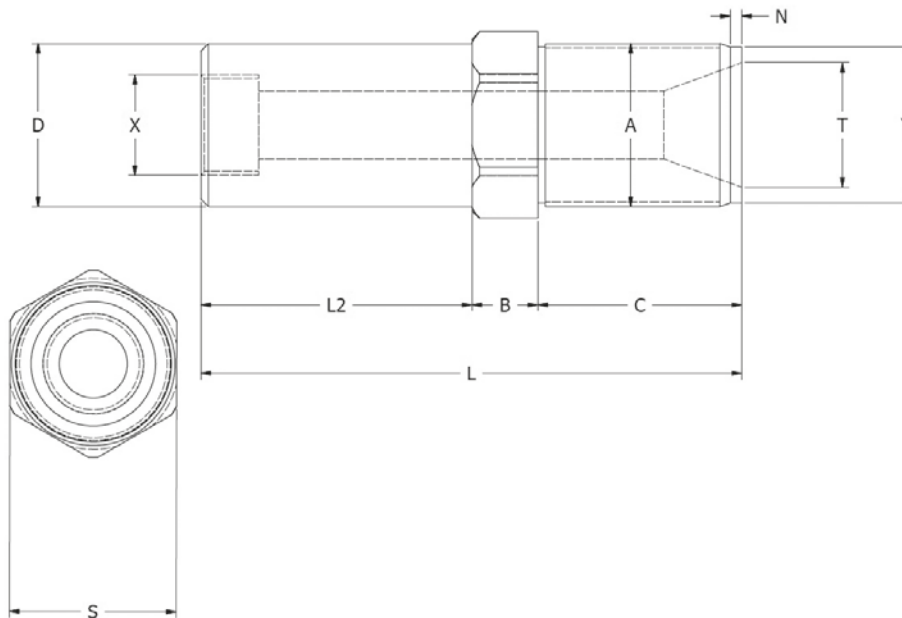
City \_\_\_\_\_ Zip \_\_\_\_\_

Country \_\_\_\_\_

**REMOVABLE NOZZLE TIPS**

# ORDER FORM

**NOZZLE BODY**



L	L2	B	C	D	X	T	Y	A	N	S

Metric only (mm)

Machine/Model \_\_\_\_\_

Company \_\_\_\_\_

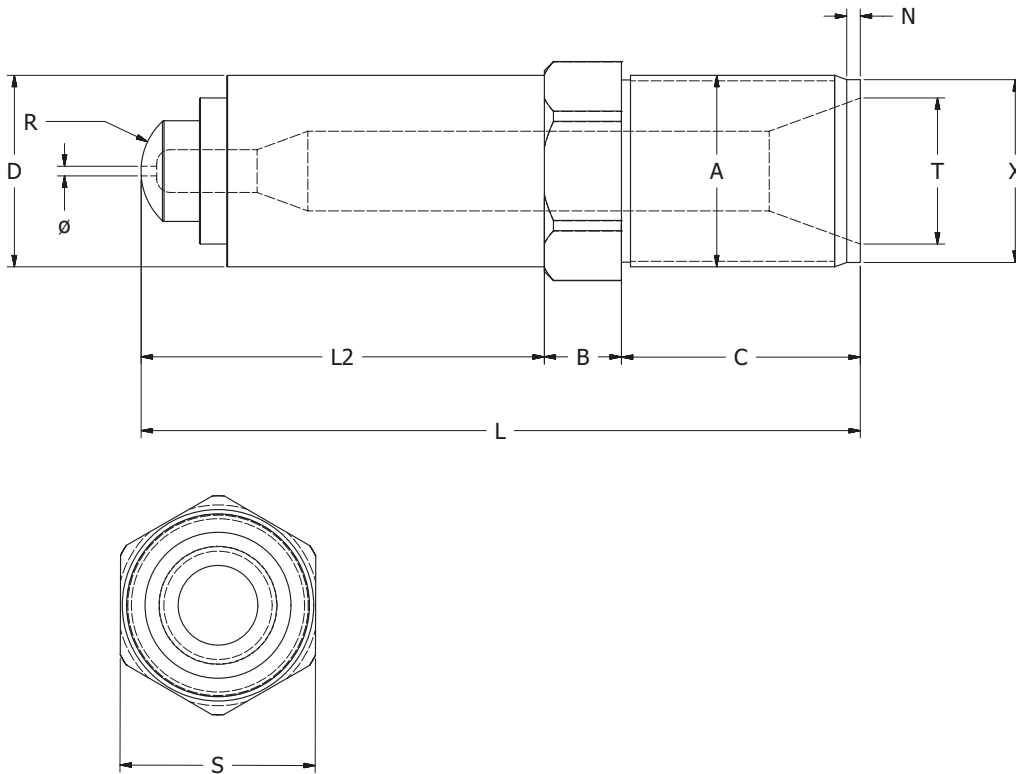
Contact \_\_\_\_\_

Telephone \_\_\_\_\_

Contact e-mail \_\_\_\_\_

# ORDER FORM

## SOLID NOZZLE



L	L2	B	C	D	X	R	Ø	T	A	N	S

Metric only (mm)

Machine/Model \_\_\_\_\_

Company \_\_\_\_\_

Contact \_\_\_\_\_

Telephone \_\_\_\_\_

Contact e-mail \_\_\_\_\_